

# WATERVOLLEY

## INSTALLATION INSTRUCTIONS

### STEP 1

Position bases by pool, fill with water and push plugs into fill holes.

### STEP 2

#### STAND ASSEMBLY/NET ATTACHMENT

Adjust anchor bolt in base so brass wedge in anchor is in its lowest position. Lower post into anchor. Tighten anchor bolt with wrench until tight. Put finishing ring on post. Install net clamps as pictured (A1) and secure with bolt and hand knob. Push cap into top of post (A2). Repeat procedure on other stand and attach one side of net close to post as pictured. Strands on end of net can later be cut off with scissors (A3).

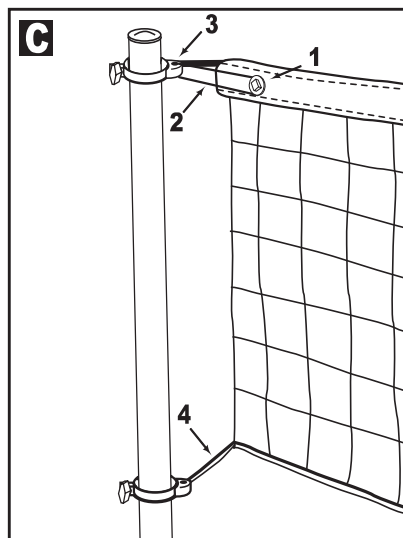
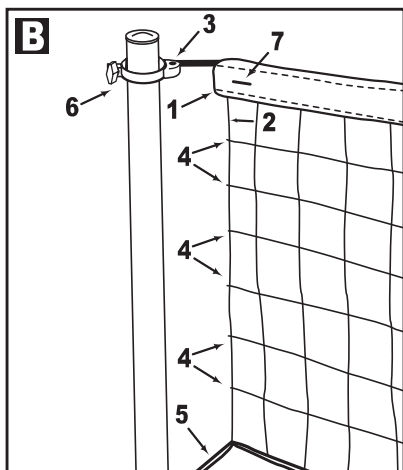
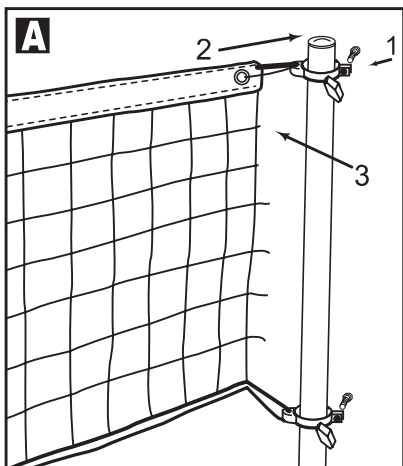
### STEP 3

#### CUSTOMIZE NET LENGTH

Take unattached end of net to other stand and determine ideal length. Using scissors cut top vinyl trim (B1) 1" past selected downward running rope (B2). BE CAREFUL when cutting to AVOID CUTTING MAIN SUPPORT ROPE (B3). Then cut off unwanted netting just past knots (B4) but LEAVE THICK BOTTOM CORD (B5) LONG ENOUGH to tie to bottom clamp on stand. Remove the thin tension rope from grommet on end of net to use later. Pull unwanted piece of net off top rope, cut top cord to desired length and tie to top clamp (B6). Move stand away from pool till rope is taught. Take scissors and punch a 1/4" horizontal slot between 2 stitch lines on vinyl trim. Center between 2 outer downward net ropes (B7). Take the brass bolt and run it through a brass washer, through slot in vinyl trim, through other brass washer and loosely tighten with the brass nut (C1). Take the saved thin tension rope and wrap center around bolt (C2) between the vinyl trim and washer, pull net tight and tie thin tension rope to clamp (C3). Tighten brass bolt (C1) using two adjustable wrenches or pliers. Then tie bottom thick cord to bottom clamp (C4). Make final tension adjustments and cut off any excess rope/cord at clamps. Then singe all ends with a flame so they don't unravel.

### BREAKDOWN

To remove post from bases, loosen bolt in anchor and then tap bolt head down with wrench.



#### VOLLEYBALL HARDWARE PARTS LIST

PART	QUANTITY	PART	QUANTITY	PART	QUANTITY
Net Clamps.....	4	Brass Washers.....	2	Ball with Inflating Needle.....	1
Hand Knobs.....	4	Brass Nut.....	1	Post with Finishing Ring.....	2
1"-Bolts.....	4	Post Cap.....	2	Base.....	2
Brass Bolt.....	1	Net.....	1	Plugs.....	2

### WARRANTY

1. WaterVolley is warranted to the original owner for 1 year from date of purchase, with proof of purchase. This warranty covers defects in materials and workmanship.
2. Parts returned under this warranty will be inspected. Damage which, in our judgement, occurred because of misuse, negligence or accident is not covered by this warranty. This warranty is void if the product has been altered or tampered with in any way.
3. Owner may send parts presumed defective directly to Dunn-Rite Products, freight prepaid. If Dunn-Rite agrees that the products are defective and covered by this warranty, Dunn-Rite will repair or replace at its option, and return the parts, with no charge for repairs.

In no event shall Dunn-Rite Products be liable for incidental or consequential damages of any nature or kind, or for damages to persons or property.

\* If a part is missing or installation help is needed, call our HELPLINE for a quick response.

**800-798-9646**



2200 South J Street Elwood, IN 46036  
Fax 7655527773