



Item No. DMB200 DECK MOUNTED



STEP 1

PREPARE ANCHOR(S) FOR INSTALLATION

- Take anchor and locate parting line on outside front of anchor (opposite bolt) and mark a line on top lip of anchor directly above parting line (A1). This will give you a guide to align the anchor before concrete hardens.
- The hole in bottom of anchor should drain into the ground. Put a piece of tape over hole to prevent concrete from entering anchor. Poke hole in tape after anchor is set.
- Adjust anchor bolt (B1) so that brass locking wedge inside of anchor is in its lowest position.

STEP 2

Install anchor(s) CEMENT DECK

Method #1 (for uncured concrete decking)

Tools needed: Level, 3'-5' piece of 2" sch. 40 PVC pipe for leveling anchor.

- Position anchor approximately 6"-8" from pool edge, with anchor bolt facing away from pool wall (B1) and pencil line on top of anchor (A1) perpendicular to pool edge.
- Pour cement, insert post into anchor and tilt post slightly away from pool water and using leveler adjust left/right levelness of post (Fig.1).
- Put leveler on backside of post (away from pool water) and pull post towards pool water until post is level (Fig. 2). Pulling forward on the post simulates the position of the post when in use. Once leveled, pull post from anchor.
- If possible, re-check levelness of anchor after cement has hardened somewhat and adjust if necessary. Unit will only be as level and square as anchor.

Method #2 (for uncured concrete decking)

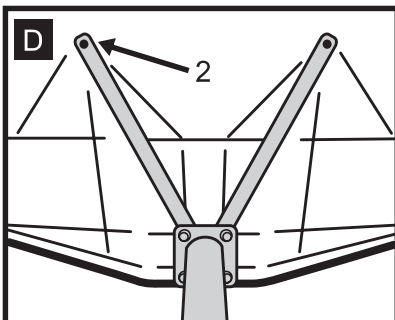
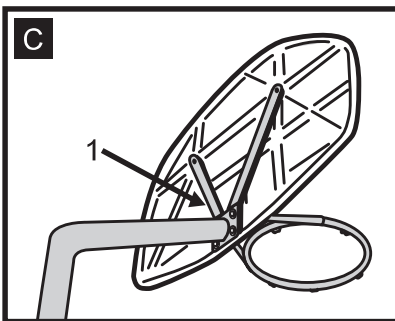
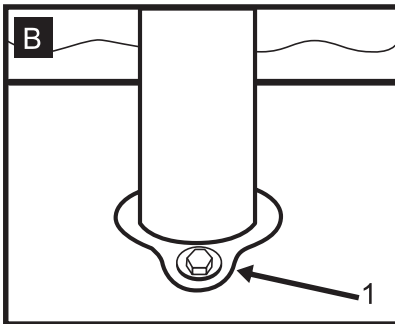
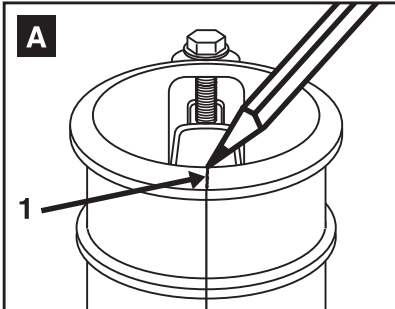
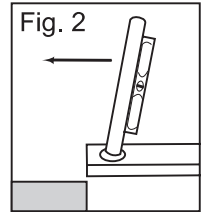
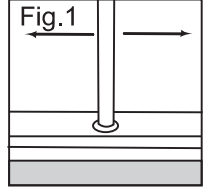
Tools needed: One adjustable wrench, level, 3'-5' piece of 2" sch. 40 PVC pipe for leveling anchor.

- Put PVC pipe in anchor and tighten anchor bolt with wrench.
- Position anchor approximately 6"-8" from pool edge, with anchor bolt facing away from pool wall and pencil line on top of anchor (A1) perpendicular to pool edge.
- Brace post in level position (Fig. 1 & 2) then pour cement.

Method #3 (for cured concrete decking)

Tools needed: One adjustable wrench, level, 3'-5' piece of 2" sch. 40 PVC pipe for leveling anchor

- When installing anchor in existing concrete decking, a 5" diameter hole must be bored into concrete.
- Install anchor as described above in Method #1 or #2 and secure into place using any good quality anchor cement.



STEP 3

ASSEMBLE BASKETBALL UNIT

- Attach rim, backboard and supports (smooth side facing toward you) to post as pictured (C), using four 5/16" x 2 1/4" carriage bolts and finger tighten using four 5/16" flanged lock nuts on back of post plate (C1).
- Attach 2 backboard supports at the top of board by running 5/16" x 1 3/4" bolt through front of board and support, and tighten with a 5/16" flange nut. (D2)
- After unit has been loosely assembled, tighten completely with wrench.
- Put net on rim.

STEP 4

SECURE BASKETBALL UNIT TO ANCHOR

- Adjust anchor bolt so brass wedge in anchor is in its lowest position. Put finishing ring on basketball post and lower post into anchor and adjust so keyed bottom of post drops and interlocks. Tighten anchor bolt with wrench until tight.

STEP 5

REMOVE BASKETBALL UNIT CEMENT DECK

- Loosen anchor bolt, tap bolt head with wrench and loosen all the way so brass wedge is in lowest position. Remove post from anchor and push anchor cap into anchor.

PARTS LIST		QTY.	PART
		1	Anchor with Cap
		1	Bent Post with Finishing Ring
		1	Backboard
		2	Backboard Supports
		1	Rim with Net
		1	Ball with Inflating Needle

WARRANTY

1. Splash & Shoot is warranted to the original owner for one year from date of purchase, with proof of purchase. This warranty covers defects in materials and workmanship.
2. Parts returned under this warranty will be inspected. Damage which, in our judgment, occurred because of misuse, negligence or accident is not covered by this warranty. This warranty is void if the product has been altered or tampered with in any way.
3. Owner may send parts presumed defective directly to Dunn-Rite Products, freight prepaid. If Dunn-Rite agrees that the products are defective and covered by this warranty, Dunn-Rite Products will repair or replace at its' option, and return the parts, with no charge for repairs.

In no event shall Dunn-Rite Products be liable for incidental or consequential damages of any nature or kind, or for damages to persons or property.

*If a part is missing or installation help is needed, call our HELP LINE for a quick response.

800-798-9646

Ver. 12-05-10



2200 South J Street Elwood, IN 46036
Fax 765-552-7773