

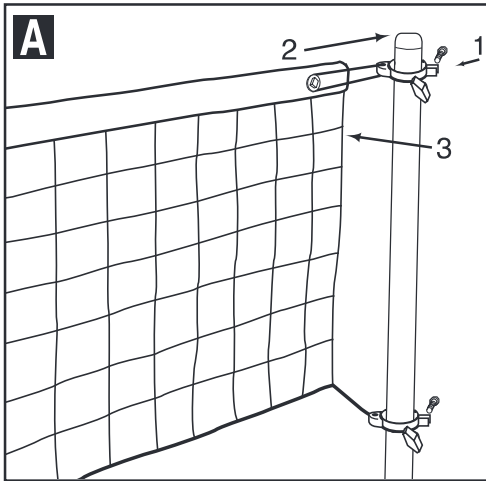
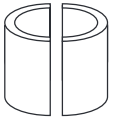
ProVolly

INSTALLATION INSTRUCTIONS

Note: Unit does not come with anchors. It is designed to retrofit existing deck receivers such as 1 1/2" PVC or 1.90 Ladder anchors.

1 1/2" PVC Installation: The volley poles will insert into 1 1/2" PVC pipe "anchors." If the fit is too loose, simply wrap the post with electrical tape to acquire the desired fit.

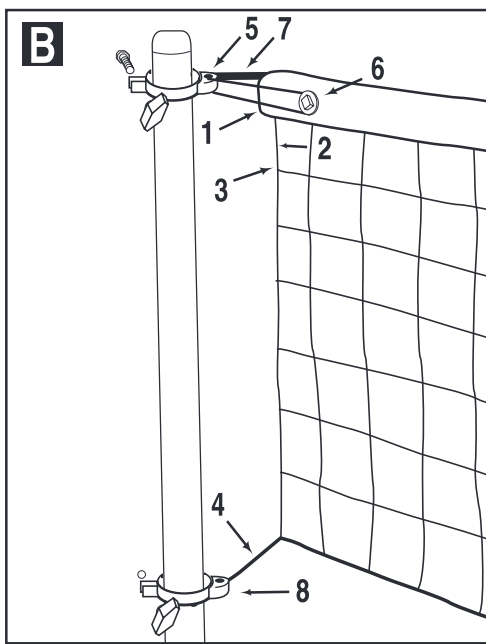
1.90 ladder anchor installation: Measure the depth of the anchor and cut a piece of 1 1/2" PVC pipe to this length. Cut the pipe length way to produce 2 pieces. Insert these 2 pieces into anchor, then Insert post. Tighten anchor bolt until post is tight.



STEP 1

ATTACH VOLLEYBALL SET-UP

- Install clamps as pictured (A 1) secure with bolt and hand knobs. Install soft vinyl cap on post (A 2).
- Repeat for other post and attach one side of net close to post as pictured, using two clamps. Strands on end of net can later be cut off with scissors (A 3).



STEP 2

CUSTOMIZED NET LENGTH

- Using scissors, cut top vinyl trim (B 1) 1" past selected downward running rope (B 2). BE CAREFUL when cutting to AVOID CUTTING MAIN SUPPORT ROPE (B 7). Then cut off unwanted netting just past knot (B 3), but LEAVE BOTTOM CORD (B 4) LONG ENOUGH to tie to bottom clamp on stand. Pull unwanted piece of net off top cord, cut cord to desired length and tie to top clamp (B 5).
- Take scissors and punch a 1/4" horizontal slot on the inward side of vinyl trim stitching line (in preparation to insert bolt unit B 6).
- Take brass bolt, run it through a brass washer, through slot in vinyl trim, through other brass washer and loosely tighten with brass nut (B 6).
- Take the thin rope off the vinyl trim (on top end of cut off net) and wrap center around bolt B 6 (between vinyl trim and washer) and tie ends to top clamp (B 5).
- Tighten brass bolt (B 6) using two adjustable wrenches or pliers. Then tie bottom cord to bottom clamp (B 8).
- With net attached, singe all cord ends with a flame so they don't unravel. Then make final tension adjustments.

WARRANTY

1. ProVolly is warranted to the original owner for 1 year from date of purchase, with proof of purchase. This warranty covers defects in materials and workmanship.
2. Parts returned under this warranty will be inspected. Damage which, in our judgment, occurred because of misuse, negligence or accident is not covered by this warranty. This warranty is void if the product has been altered or tampered with in any way.
3. Owner may send parts presumed defective directly to Dunn-Rite Products, freight prepaid. If Dunn-Rite agrees that the products are defective and covered by this warranty, Dunn-Rite will repair or replace at its option, and return the parts, with no charge for repairs.

In no event shall Dunn-Rite Products be liable for incidental or consequential damages of any nature or kind, or for damages to persons or property.

* If a part is missing or installation help is needed, call our HELPLINE for a quick response.

800-798-9646



2200 South J Street Elwood, IN 46036
Fax 765-552-7773

PROVOLLY HARDWARE PARTS LIST

PART	QUANTITY
Clamps.....	4
Hand Knobs.....	4
7/8"-Bolts.....	4
Brass Bolt.....	1
Brass Washers.....	2
Brass Nut.....	1
White Vinyl Post Cap.....	2
Net.....	1
Ball with Inflating Needle.....	1
Post.....	2