

## DECLARATION OF CONFORMITY

The Jet Net remote control pool skimmer has passed EU Directive 1999/5/EC testing regulations and is in compliance with the following standards.

EN300220-1/-3 : 2000  
EN301489-1/-3 : 2002  
EN60065  
EN60825

The related conformity certificate is issued by EMCert DR, RAŠEK. The EC Identification Number is: 0678.



## CAUTIONS

- No naked flame sources, such as lighted candles, should be placed on the apparatus.
- The apparatus shall not be exposed to dripping or splashing and that no objects filled with liquids, such as vases, shall be placed on the apparatus.
- The AC mains plug shall remain readily operable.
- Attention should be drawn to the environmental aspects of battery disposal.
- Battery installation should be performed by an adult.
- Be careful to install batteries with the correct polarity as indicated.
- Only batteries of the same or equivalent type as recommended are to be used.
- The supply terminals are not to be short-circuited.
- Different types of batteries or new and used batteries are not to be mixed.
- Exhausted batteries are not to be removed from the toy.
- Do not dispose of batteries in fire. Battery may explode or leak.
- Non-rechargeable batteries are not to be charged.
- Rechargeable batteries are only to be charged under adult supervision.
- Rechargeable batteries are to be removed from the toy before being charged (if removable).
- Charge the rechargeable battery pack only with the provided charger.
- Do not attempt to short circuit the charging plug of the rechargeable battery pack and the charging adapter.
- Never recharge a fully charged battery. Always discharge the battery before charging.

Manufactured for and distributed by Dunn Rite Products.

MADE IN CHINA

Distributor in Europe: STARAQUA

Starqua Bureau Central

Av. Fuente Nueva, 5Nave 9-C 1 Piso - (28700)

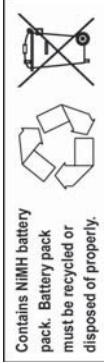
San Sebastian de los Reyes

Madrid, Espana

Tel: +34 902 500 132

Fax: +34 91 659 1272

e-mail: sales@staracqua.com



## WARRANTY

1. JetNet is warranted to the original owner for one year from date of purchase, with proof of purchase.
2. This warranty covers defects in materials and workmanship.
3. Parts returned under this warranty will be inspected. Damage which, in our judgement, occurred because of misuse, negligence or accident is not covered by this warranty. This warranty is void if the product has been altered or tampered with in any way.
3. Owner may send parts presumed defective directly to STARAQUA, freight prepaid. If STARAQUA agrees that the products are defective and covered by this warranty, STARAQUA will repair or replace at its option, and return the parts, with no charge for repairs.

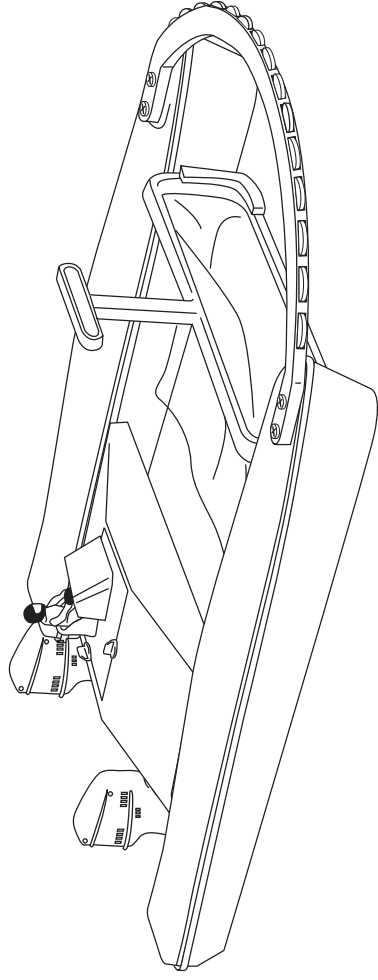
In no event shall STARAQUA be liable for incidental or consequential damages of any nature or kind, or for damages to persons or property.

\*If a part is missing or installation help is needed, call our HELPLINE for a quick response. +34 902 500 132

Item No. JN06



# Remote Control Pool Skimmer



## Parts List

### Boat Assembly

- 1 - Cockpit
- 1 - Bridge
- 1 - e.z. Clean Net
- 1 - Bumper Assembly
- 2 - Pontoons
- 2 - Motors
- 8 - 6x17mm screws
- 4 - 3.5x15mm screws

### Boat Accessories

- 1 - Remote
- 1 - Charger
- 1 - 9 volt Battery
- 1 - Rechargeable Battery



2200 South J Street  
Elwood, IN 46036  
Fax 765-552-7773

Distributor in Europe by STARAQUA

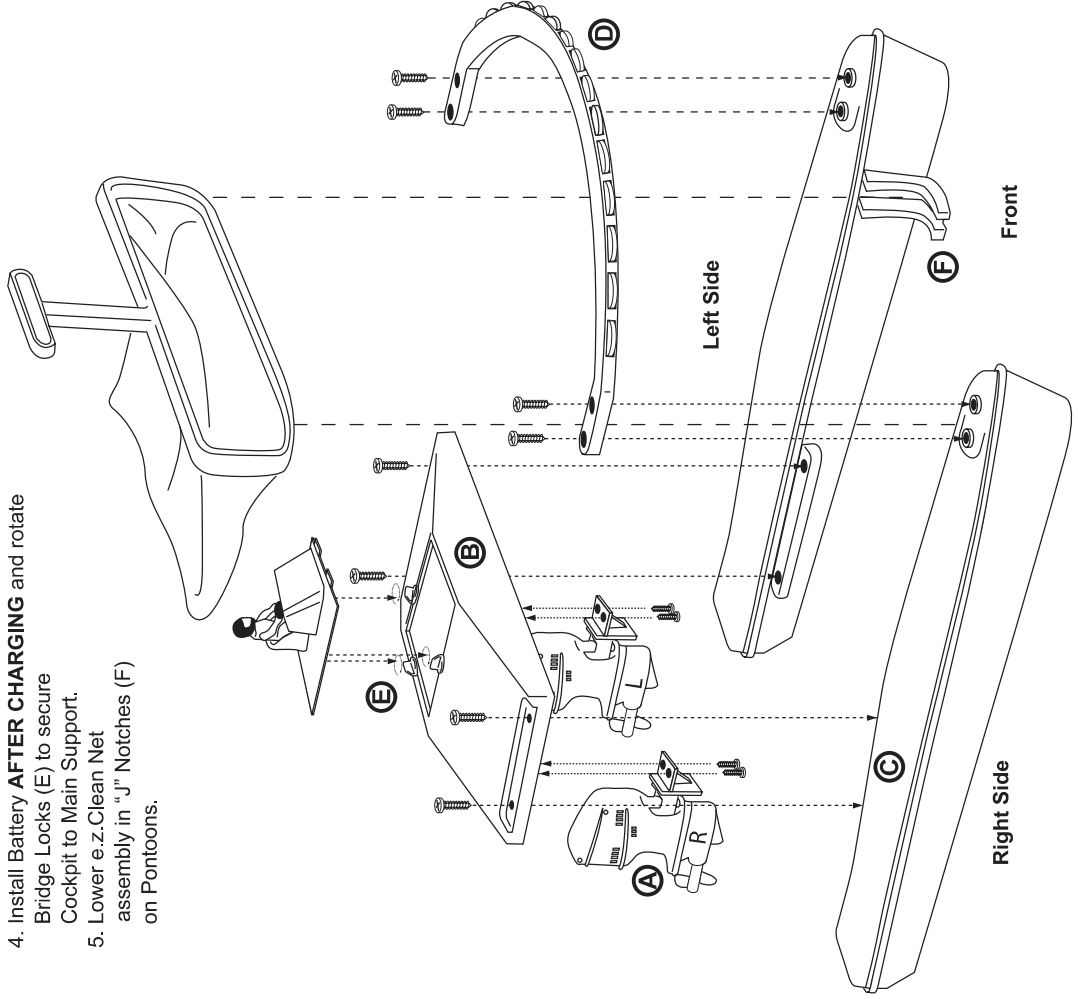
## CONTENTS WITH ILLUSTRATION ASSEMBLY WITH ILLUSTRATION

1. Identify Left and Right Motor by markings on propellers (A). Plug in motor marked L to left side of bridge (B) and secure using two supplied screws (3.5mm). Plug in motor marked R to right side of bridge (B) and secure using two supplied screws (3.5mm).

**Note:** if you are having trouble plugging in make sure you have the correct Motor on the correct side. Motor Plugs are NOT interchangeable.

2. Using 4 supplied screws, attach Pontoons (C) to Bridge keeping Nose of Pontoons towards front.
3. Align Bumper (D) with screw holes on Nose of Pontoons and secure with 4 supplied screws.
4. Install Battery **AFTER CHARGING** and rotate Bridge Locks (E) to secure Cockpit to Main Support.
5. Lower e.z.Clean Net assembly in "J" Notches (F) on Pontoons.

## DO NOT SUBMERGE MOTORS IN WATER



## CHARGING THE RECHARGEABLE BATTERY PACK

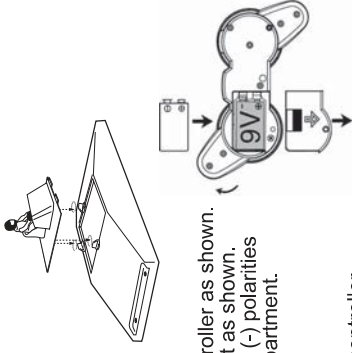
1. Connect the battery plug to the power adapter's plug.
2. Insert the power adapter into a wall outlet to start charging.
3. Unplug the power adapter from the wall outlet when charging is done, disconnect the battery pack from the power adapter.

**NOTE:** Charge the battery pack for 4 to 5 hours for optimum full performance on the initial charge and about 4 hours for other charges.

**CAUTIONS:** As with all electric products, precautions should be observed during handling and use to prevent electric shock. The power adapter should be periodically examined for leaks, loose wiring and other conditions that may result in the risk of fire, electric shock or other personal injury. If you suspect a problem, do not use the adapter until it is properly repaired. Do not charge the battery pack for over 10 hours, as this will result in damage to the batteries.

## BATTERY INSTALLATION - SKIMMER

1. Open the 3 locks of the battery compartment cover of the skimmer as shown and remove cockpit.
2. Connect the battery pack's plug to the plug in the battery compartment. Make sure the battery pack is well mounted in the battery compartment.
3. Replace the battery compartment cover and lock it.



## BATTERY INSTALLATION - REMOTE CONTROLLER

1. Remove screw and slide the battery door out of the controller as shown.
2. Install a 9V battery (included) in the battery compartment as shown. Make sure to follow the correct positive (+) and negative (-) polarities with the corresponding markings inside the battery compartment.
3. Slide the battery door back into place.

## PREPARATION

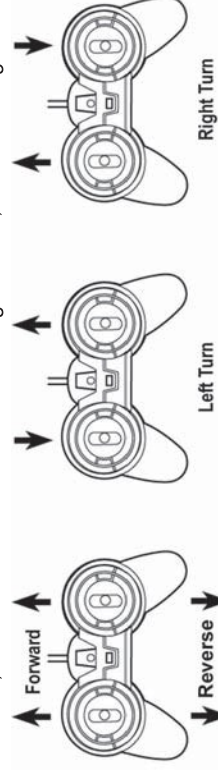
1. Install the antenna into the antenna hole on the remote controller as shown, pull tip of the antenna to extend.
2. Move the power switches on the remote controller and the skimmer to ON.
3. Place the skimmer gently into the pool, letting it float on water.

**NOTE:** Do not leave controller on the ground with joysticks facing down. This can cause false starts.



## OPERATION

The left and right joysticks on the controller are used to control the left and right motors on the RC skimmer. When the left joystick is pushed forward or back the left motor will run. When the right joystick is pushed forward or back the right motor will run. By combination of pushing forward the left and/or right joysticks as shown, the RC skimmer can be controlled to go forward, left turn and right turn.



After use, take the skimmer out of water, move the power switches on the remote controller and skimmer to **OFF**.

**NOTE:** Do not operate the skimmer while it is out of water. Never touch the propellers on the skimmer to avoid possible injury.