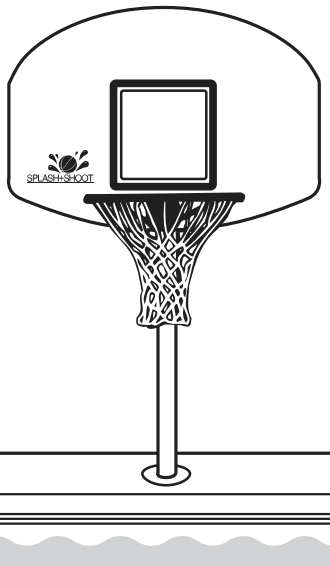




**SPLASH+SHOOT**  
INSTALLATION INSTRUCTIONS



**STEP 1**

**INSTALL ANCHOR  
CEMENT DECK**

**NOTE:** The hole in bottom of anchor should drain into the ground. Put a piece of tape over hole to prevent concrete from entering anchor. Poke hole in tape after anchor is set.

Method #1 (for uncured concrete decking)

Tools needed: One adjustable wrench • Level • 3" - 5" piece of 2" sch. 40 PVC pipe for leveling anchor (a WaterVolly post can also be used)

- Adjust anchor bolt (A1) so that brass locking wedge inside of anchor is in its lowest position. Position anchor 6" - 8" from pool edge, with anchor bolt facing away from pool water.

Method #2 (for uncured concrete decking)

Tools needed: One adjustable wrench • Leveler

- Put post to be used in anchor, tighten anchor bolt and position by pool edge and secure post in level position and then pour concrete.

Method #3 (for cured concrete decking)

- When installing anchor in existing concrete decking, a 5" diameter hole must be bored into concrete. Install anchor as described above and secure into place using any good quality anchor cement.

**STEP 2**

**ASSEMBLE BASKETBALL UNIT**

- Attach rim, backboard and supports (smooth side facing toward you) to post as pictured (B), using four 5/16" x 2 1/4" carriage bolts and finger tighten using four 5/16" flanged lock nuts on back of post plate (31).
- Attach 2 backboard supports at the top of board by running 5/16" x 1 5/8" bolt through front of board and support, and tighten with a 5/16" flange nut. (C2)
- After unit has been loosely assembled, tighten completely with wrench.
- Put net on rim.

**STEP 3**

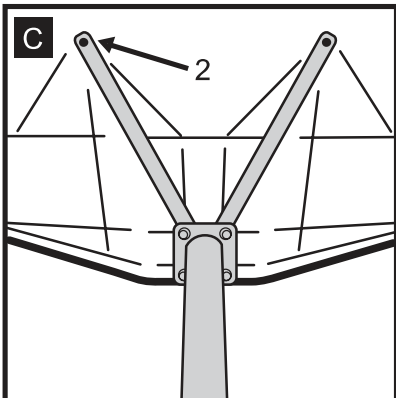
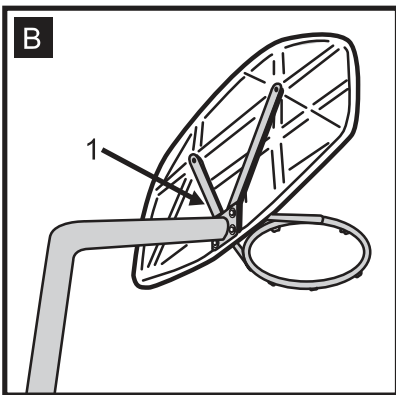
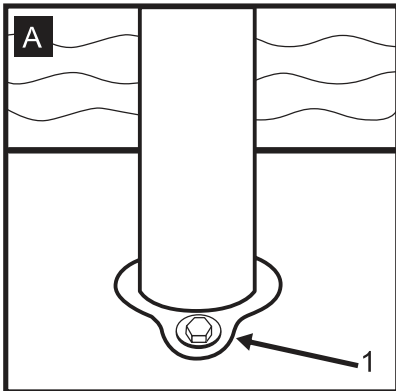
**SECURE BASKETBALL UNIT TO ANCHOR**

- Adjust anchor bolt so brass wedge in anchor is in its lowest position. Put finishing ring on basketball post and lower post into anchor and adjust so keyed bottom of post drops and interlocks. Tighten anchor bolt with wrench until tight.

**STEP 4**

**REMOVE BASKETBALL UNIT  
CEMENT DECK**

- Loosen anchor bolt, tap bolt head with wrench and loosen all the way so brass wedge is in lowest position. Remove post from anchor and push anchor cap into anchor.



PARTS LIST		QTY.	PART
		1	Anchor with Cap
		1	Bent Post with Finishing Ring
		1	Backboard
		2	Backboard Supports
		1	Rim with Net
		1	Ball with Inflating Needle

**WARRANTY**

1. Splash & Shoot is warranted to the original owner for one year from date of purchase, with proof of purchase. This warranty covers defects in materials and workmanship.
2. Parts returned under this warranty will be inspected. Damage which, in our judgment, occurred because of misuse, negligence or accident is not covered by this warranty. This warranty is void if the product has been altered or tampered with in any way.
3. Owner may send parts presumed defective directly to Dunn-Rite Products, freight prepaid. If Dunn-Rite agrees that the products are defective and covered by this warranty, Dunn-Rite Products will repair or replace at its' option, and return the parts, with no charge for repairs.

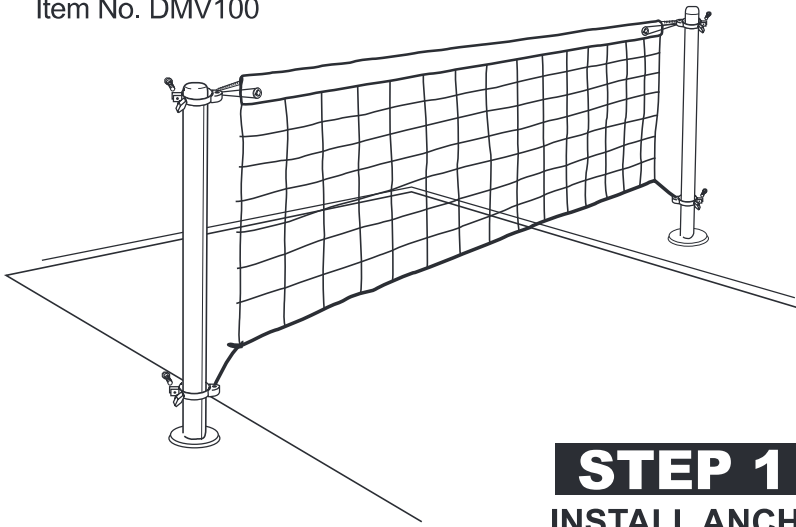
In no event shall Dunn-Rite Products be liable for incidental or consequential damages of any nature or kind, or for damages to persons or property.

\*If a part is missing or installation help is needed, call our HELP LINE for a quick response.

800-798-9646



2200 South J Street Elwood, IN 46036  
Fax 765-552-7773



Deck  
Mounted

# Water Volley

## INSTALLATION INSTRUCTIONS

### STEP 1

**INSTALL ANCHOR(S)** Two for Volleyball and Combo, one if using basketball set-up only.

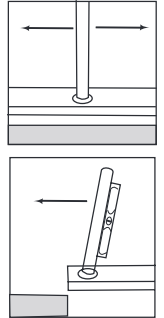
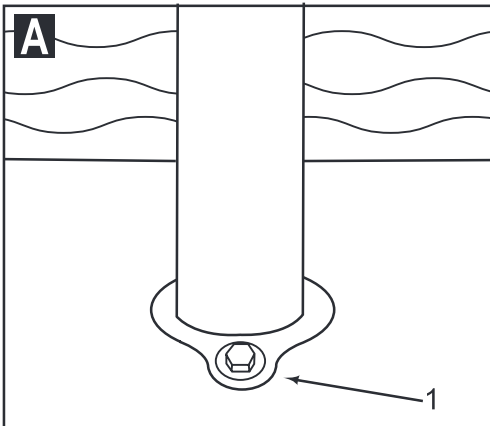
#### CEMENT DECK

**NOTE:** The hole in bottom of anchor should drain into the ground. Put a piece of tape over hole to prevent concrete from entering anchor. Poke hole in tape after anchor is set.

**Method #1** (for uncured concrete decking)

**Tools needed:** • One adjustable wrench • Leveler

- Adjust anchor bolt (A1) so that brass locking wedge inside of anchor is in its lowest position. Position anchor approximately 6" - 8" from pool edge, with anchor bolt facing away from pool wall.
- Pour cement, insert post into anchor and tilt post slightly away from pool water and using leveler adjust left/right levelness of post.
- Put leveler on backside of post (away from pool water) and pull post towards pool water until post is level. Pulling forward on the post simulates the position of the post when in use. Once leveled, pull post from anchor.
- If possible, re-check levelness of anchor after cement has hardened somewhat and adjust if necessary. Unit will only be as level and square as anchor.



**Method #2** (for uncured concrete decking)

**Tools needed:** • One adjustable wrench • Leveler

- Put post to be used in anchor, tighten anchor bolt and position 6" - 8" from pool edge and secure post in level position then pour cement.

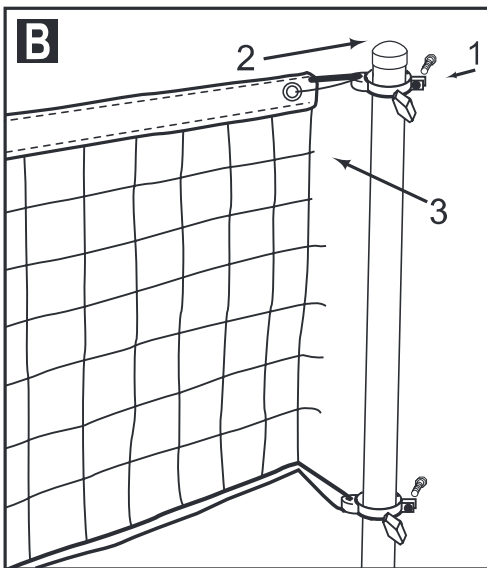
**Method #3** (for cured concrete decking)

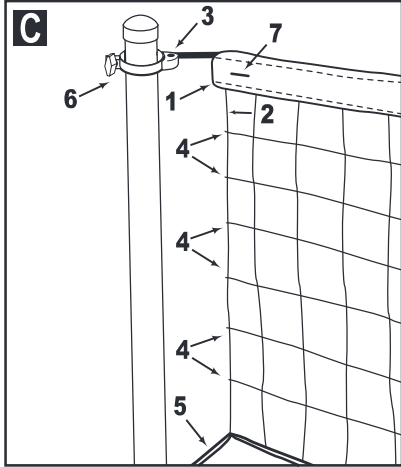
- When installing anchor in existing concrete decking, a 5" diameter hole must be bored into concrete. Install anchor as described above and secure into place using any good quality anchor cement.
- Put post into anchor and tighten set screws with wrench.

### STEP 2

#### POST ASSEMBLY/NET ATTACHMENT

Lower post into anchor. Tighten anchor bolt with wrench until tight. Put finishing ring on post. Install net clamps as pictured (B1) and secure with bolt and hand knob. Push cap onto top of post (B2). Repeat procedure on other stand and attach one side of net close to post as pictured. Strands on end of net can later be cut off with scissors (B3).

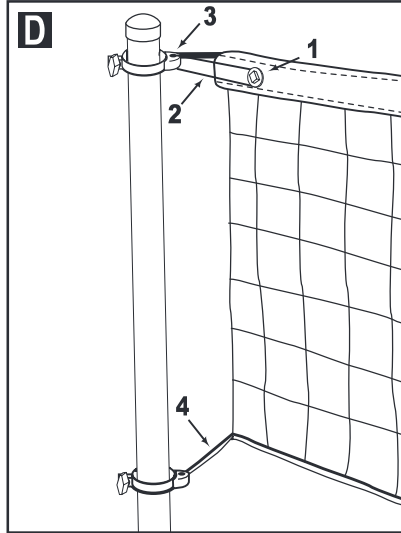




### STEP 3

#### CUSTOMIZE NET LENGTH

Take unattached end of net to other stand and determine ideal length. Using scissors cut top vinyl trim (C1) 1" past selected downward running rope (C2). BE CAREFUL when cutting to AVOID CUTTING MAIN SUPPORT ROPE (C3). Then cut off unwanted netting just past knots (C4) but LEAVE THICK BOTTOM CORD (C5) LONG ENOUGH to tie to bottom clamp on stand. Remove the thin tension rope from grommet on end of net to use later. Pull unwanted piece of net off top rope, cut top cord to desired length and tie to top clamp (C6). Move stand away from pool till rope is taught. Take scissors and punch a 1/4" horizontal slot between 2 stitch lines on vinyl trim. Center between 2 outer downward net ropes (C7). Take the brass bolt and run it through a brass washer, through slot in vinyl trim, through other brass washer and loosely tighten with the brass nut (D1). Take the saved thin tension rope and wrap center around bolt (D2) between the vinyl trim and washer, pull net tight and tie thin tension rope to clamp (D3). Tighten brass bolt (D1) using two adjustable wrenches or pliers. Then tie bottom thick cord to bottom clamp (D4). Make final tension adjustments and cut off any excess rope/cord at clamps. Then singe all ends with a flame so they don't unravel.



### BREAKDOWN

To remove post from anchor, loosen bolt in anchor and then tap bolt head down with wrench.

VOLLEYBALL HARDWARE PARTS LIST					
PART	QUANTITY	PART	QUANTITY	PART	QUANTITY
Net Clamps.....	4	Brass Washers.....	2	Ball with Inflating Needle.....	1
Hand Knobs.....	4	Brass Nut.....	1	Post with Finishing Ring.....	2
1"-Bolts.....	4	Post Cap.....	2	Anchors with caps.....	2
Brass Bolt.....	1	Net.....	1		

#### COMBO HARDWARE PARTS LIST

All parts on Deck Mount WaterVolly and Deck Mount Splash+Shoot less one anchor with cap and one inflating needle.

### WARRANTY

1. DeckVolly is warranted to the original owner for 1 year from date of purchase, with proof of purchase. This warranty covers defects in materials and workmanship.
2. Parts returned under this warranty will be inspected. Damage which, in our judgement, occurred because of misuse, negligence or accident is not covered by this warranty. This warranty is void if the product has been altered or tampered with in any way.
3. Owner may send parts presumed defective directly to Dunn-Rite Products, freight prepaid. If Dunn-Rite agrees that the products are defective and covered by this warranty, Dunn-Rite will repair or replace at its option, and return the parts, with no charge for repairs.

In no event shall Dunn-Rite Products be liable for incidental or consequential damages of any nature or kind, or for damages to persons or property.

\* If a part is missing or installation help is needed, call our HELPLINE for a quick response.

**800-798-9646**



2200 South J Street Elwood, IN 46036  
Fax 7655527773