

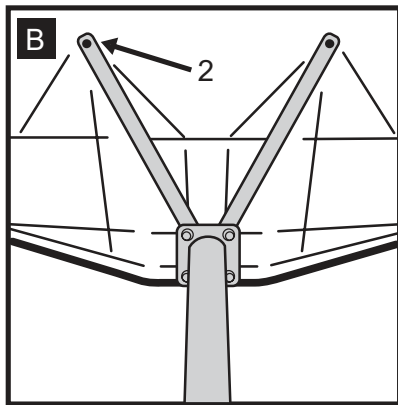
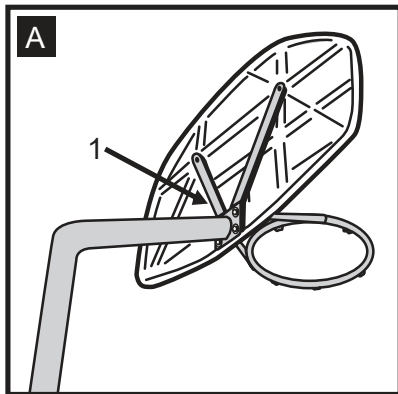
STEP 1

Fill base with water and install base plug.

STEP 2

ASSEMBLE BASKETBALL UNIT

- 1. Attach rim, backboard and supports (smooth side facing toward you) to post as pictured (A), using four 5/16" x 2 1/4" carriage bolts and finger tighten using four 5/16" flanged lock nuts on back of post plate (A1).
- 2. Attach 2 backboard supports at the top of board by running 5/16" x 1 4/4" bolt through front of board and support, and tighten with a 5/16" flange nut. (B2)
- 3. After unit has been loosely assembled, tighten completely with wrench.
- 4. Put net on rim.



STEP 3

SECURE BASKETBALL UNIT TO ANCHOR

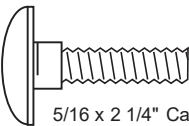
- 1. Adjust anchor bolt so brass wedge in anchor is in its lowest position. Put finishing ring on basketball post and lower post into anchor and adjust so keyed bottom of post drops and interlocks. Tighten anchor bolt with wrench until tight.

PARTS LIST

5/16" x 1 3/4" Hex Bolt (2)



5/16" Flanged Lock Nut (6)



5/16 x 2 1/4" Carriage Bolt (4)

QTY. PART

- 1 Bent Post with Finishing Ring
- 1 Backboard
- 2 Backboard Supports
- 1 Rim with Net
- 1 Ball with Inflating Needle

WARRANTY

1. Poola-Hoops is warranted to the original owner for one year from date of purchase, with proof of purchase. This warranty covers defects in materials and workmanship.
2. Parts returned under this warranty will be inspected. Damage which, in our judgement, occurred because of misuse, negligence or accident is not covered by this warranty. This warranty is void if the product has been altered or tampered with in any way.
3. Owner may send parts presumed defective directly to Dunn-Rite Products, freight prepaid. If Dunn-Rite agrees that the products are defective and covered by this warranty, Dunn-Rite Products will repair or replace at its' option, and return the parts, with no charge for repairs.

In no event shall Dunn-Rite Products be liable for incidental or consequential damages of any nature or kind, or for damages to persons or property.

*If a part is missing or installation help is needed, call our HELPLINE for a quick response. 800-798-9646



2200 South J Street Elwood, IN 46036
Fax 765.552.7773