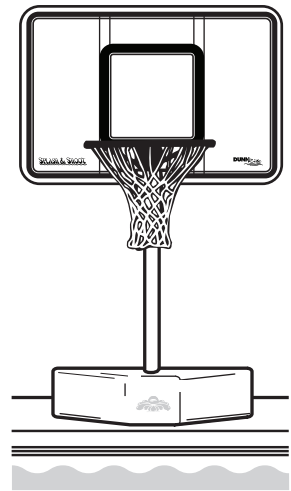




SPLASH+SHOOT

ASSEMBLY INSTRUCTIONS



STEP 1

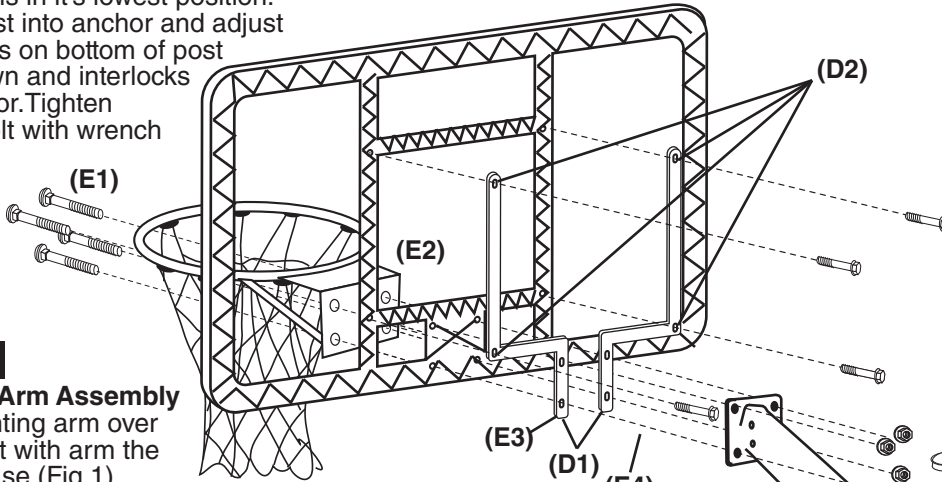
Base Preparation

Position base at playing location near pools edge and fill with water. Install base plug (A).

STEP 2

Secure Post to Base

- Adjust anchor bolt in base so brass wedge in anchor is in it's lowest position.
- Lower post into anchor and adjust so notches on bottom of post drops down and interlocks with anchor. Tighten anchor bolt with wrench until tight.
- Slide finishing ring (B) over top of post.

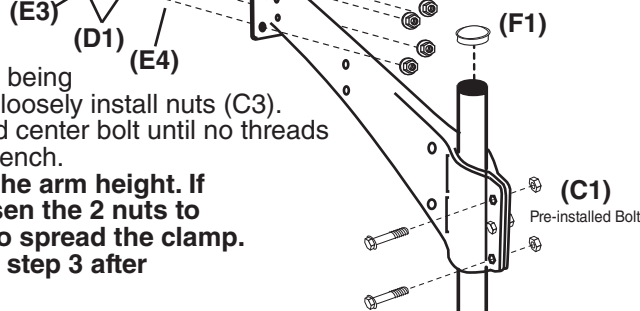


STEP 3

Overhang Arm Assembly

- Slip mounting arm over top of post with arm the front of base (Fig 1). Install 2 – 5/6 X 1 1/4" bolts and nuts into arm clamp being sure to seat the hex head into the hex socket, and loosely install nuts (C3). Adjust to desired height and loosen the preinstalled center bolt until no threads are showing in the clamp gap. Tighten nuts with wrench.

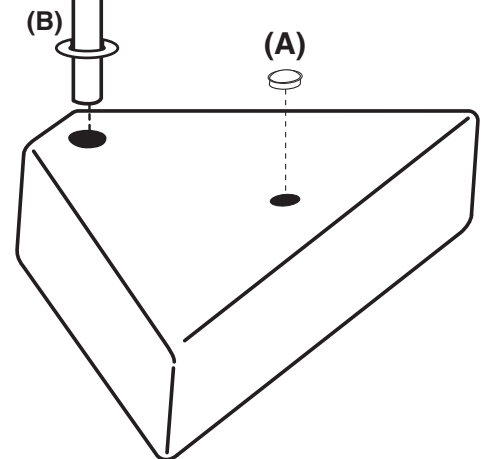
Note: The center bolt is only used for adjusting the arm height. If adjusting the height after initial installation, loosen the 2 nuts to the end of the bolts and tighten the center bolt to spread the clamp. This is to avoid scratching the post. Then repeat step 3 after relocating arm at desired height.



STEP 4

Backboard/Rim Assembly (2 Persons Recommended)

- Attach the 2 backboard supports (D1) smooth side out at the top of board by running 4 – 5/16" X 2" flanged head bolts (D2) thru bracket and loosely secure to board.
- Install each of the 5/16" X 3 1/2" carriage bolts (E1) thru rim (E2) (making sure the square shoulder sits into rim plate), thru backboard and backboard supports (E3) and angled plate (E4). Loosely install the 4 – 5/16" flanged locknuts.
- Install post cap (F1), hook net to rim, and remove plastic film from front of backboard.


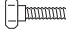
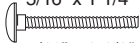



STEP 5

Final Adjustments

- Adjust backboard until square graphic on board is straight and tighten all bolts and flanged locknuts.

PARTS LIST

QTY.	PART
(1)	Post with Finishing Ring
(1)	Backboard
(1)	Overhang Arm
(2)	Backboard Supports
(1)	Rim with Net
(1)	Ball with Inflating Needle
(1)	Post Cap
(1)	Base with Base Plug
(4)	 5/16" x 2" Flange Head Bolt
(2)	 5/16" x 1 1/4" Bolt
(4)	 5/16" x 3 1/2" Carriage Bolt
(6)	 5/16" Flanged Lock Nut

WARRANTY

1. Splash & Shoot is warranted to the original owner for three year from date of purchase, with proof of purchase. This warranty covers defects in materials and workmanship.
2. Parts returned under this warranty will be inspected. Damage which, in our judgement, occurred because of misuse, negligence or accident is not covered by this warranty. This warranty is void if the product has been altered or tampered with in any way.
3. Owner may send parts presumed defective directly to Dunn-Rite Products, freight prepaid. If Dunn-Rite agrees that the products are defective and covered by this warranty, Dunn-Rite Products will repair or replace at its' option, and return the parts, with no charge for repairs.

In no event shall Dunn-Rite Products be liable for incidental or consequential damages of any nature or kind, or for damages to persons or property.

*If a part is missing or installation help is needed, call our HELPLINE for a quick response. **800-798-9646**



2200 South J Street Elwood, IN 46036
Fax 765•552•7773