



SPLASH+SHOOT

ASSEMBLY INSTRUCTIONS

STEP 1

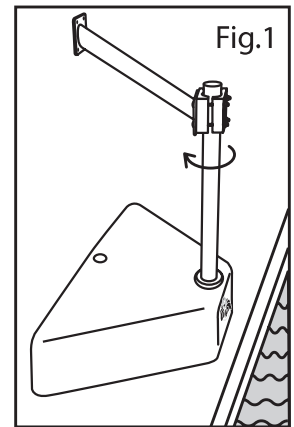
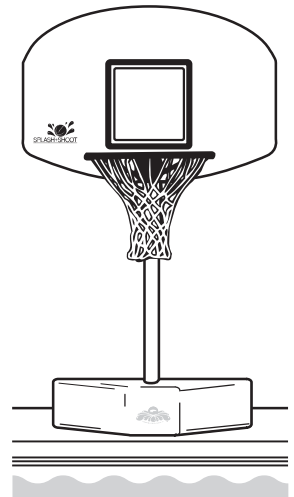
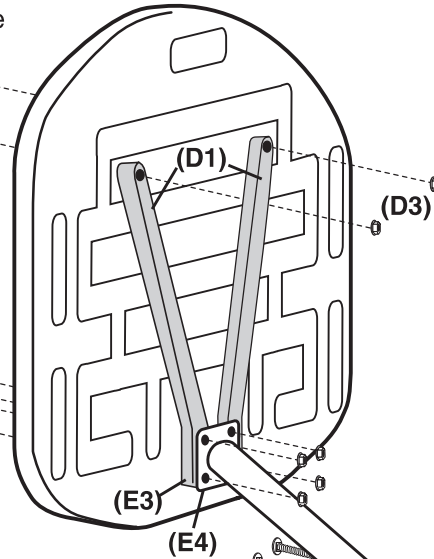
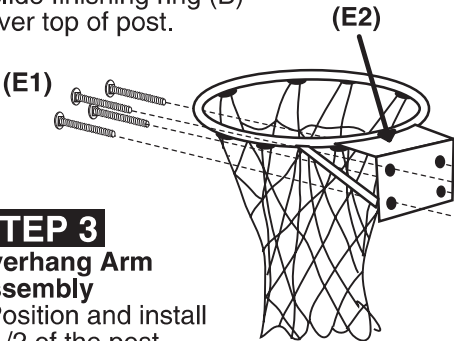
Base Preparation

Position base at playing location near pools edge and fill with water. Install base plug (A).

STEP 2

Secure Post to Base

- Adjust anchor bolt in base so brass wedge in anchor is in it's lowest position.
- Lower post into anchor and adjust so notches on bottom of post drops down and interlocks with anchor. Tighten anchor bolt with wrench until tight.
- Slide finishing ring (B) over top of post.



STEP 3

Overhang Arm Assembly

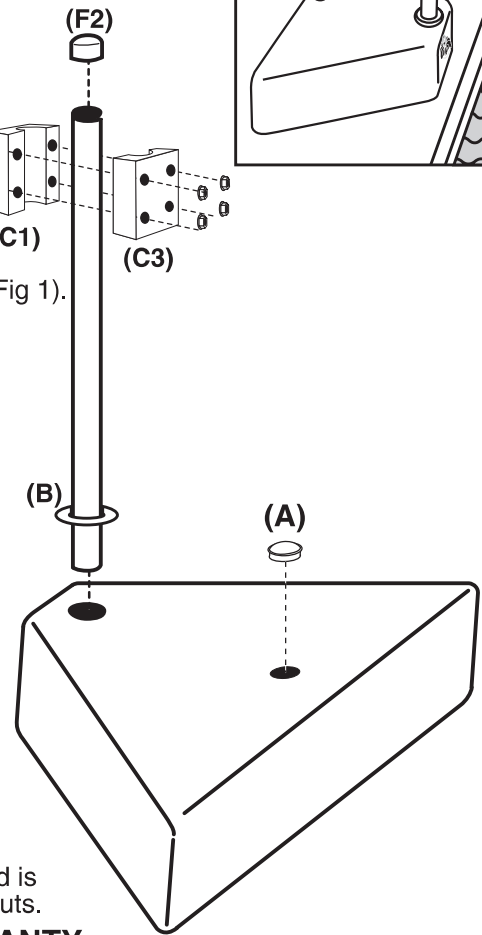
- Position and install 1/2 of the post mounting block (C1) to angled plate (C2) using 4 - 5/16" X 4 1/2" carriage bolts as shown, making sure the square shoulder seats into plate. Slip second half of mounting block (C3) over 4 bolts and install 4 - 5/16" flanged locknuts until threads are barely past nuts.
- Slip mounting block over top of post with arm facing away from front of base (Fig 1). Adjust to desired height and tighten nuts with wrench just enough to keep arm in place for backboard/rim installation.

Note: This step is to make backboard/rim installation easier.

STEP 4

Backboard/Rim Assembly (2 Persons Recommended)

- Attach the 2 backboard supports (D1) smooth side out at the top of board by running 2 - 5/16" X 1 3/4" bolts (D2) thru front of board and support. Loosely install 2 - 5/16" flanged locknuts (D3).
- Install each of the 5/16" X 2 1/4" carriage bolts (E1) thru rim (E2) (making sure the square shoulder seats into plate), thru backboard and backboard supports (E3) and angled plate (E4). Loosely install the 4 - 5/16" flanged locknuts.
- Install post cap (F2) and hook net to rim.



PARTS LIST

QTY.	PART
(1)	Post with Finishing Ring
(1)	Backboard
(2)	Backboard Supports
(1)	Rim with Net
(1)	Ball with Inflating Needle
(1)	Post Cap
(1)	Base Plug
(2)	Backboard Mounting Blocks (front and back Mounting Blocks are same part)
(2)	5/16" x 1 3/4" Hex Bolt
(4)	5/16" x 4 1/2" Carriage Bolt
(4)	5/16" x 2 1/4" Carriage Bolt
(10)	5/16" Flanged Lock Nut

STEP 5

Final Adjustments

- Rotate backboard assembly until rim is positioned over the water and tighten the 4 flanged locknuts on mounting block as tight as possible.
- Adjust backboard until square graphic on board is straight and tighten all remaining flanged locknuts.

WARRANTY

1. Splash & Shoot is warranted to the original owner for one year from date of purchase, with proof of purchase. This warranty covers defects in materials and workmanship.
2. Parts returned under this warranty will be inspected. Damage which, in our judgement, occurred because of misuse, negligence or accident is not covered by this warranty. This warranty is void if the product has been altered or tampered with in any way.
3. Owner may send parts presumed defective directly to Dunn-Rite Products, freight prepaid. If Dunn-Rite agrees that the products are defective and covered by this warranty, Dunn-Rite Products will repair or replace at its' option, and return the parts, with no charge for repairs.

In no event shall Dunn-Rite Products be liable for incidental or consequential damages of any nature or kind, or for damages to persons or property.

*If a part is missing or installation help is needed, call our HELPLINE for a quick response. **800-798-9646**



2200 South J Street Elwood, IN 46036
Fax 765-552-7773